







# Our Specification: Wall Panel

## PARTY WALL – PARTIALLY SHEATHED

Our timber frame party system offers zero U-value party wall solution, fully filled with effective edge sealing. It also utilizes Robust Detail @ E-WT-1 solution.

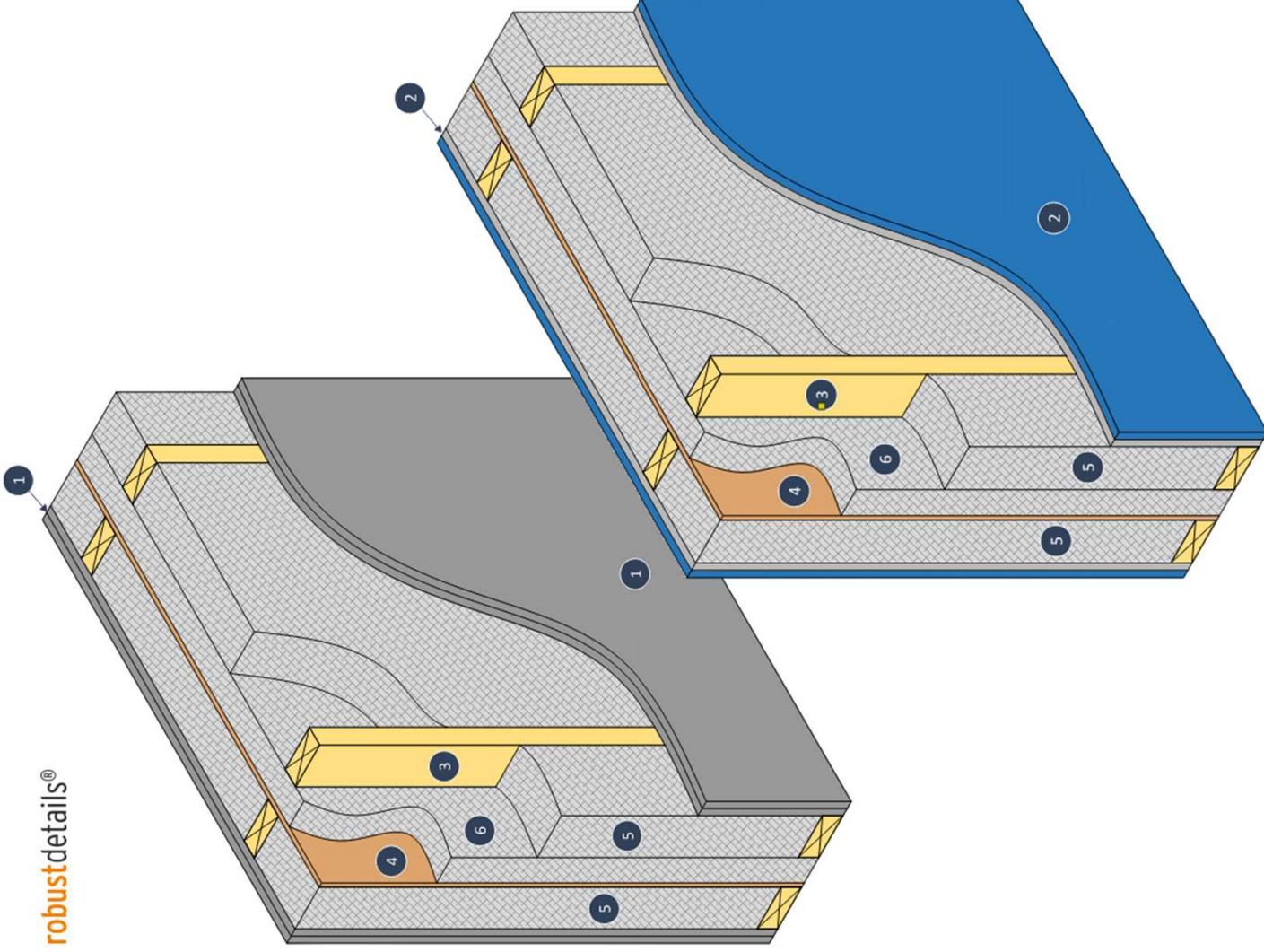
In areas where back-to-back OSB is required, cavity is insulated by DTS.

-  **Fire tested for 60 min fire protection**
-  U-value 0 with insulated cavity to mitigate thermal bypass
-  Air tightness ranging from 5.0 to 3.0
-  Supply and install service only

-  1 2 layers 15mm plasterboard
- or
-  2 12.5mm plasterboard and 19mm plank
-  3 38x89mm studs
-  4 9mm OSB sheathing (where structurally required)
-  5 Glaswool insulation (10-60 kg/m<sup>3</sup> density)
-  6 Timber frame party wall roll insulation (10-40 kg/m<sup>3</sup> density)

-  Factory-fitted by DTS
-  Fitted on site by DTS (on request)
-  Fitted by others on site

Full specification available on request













# Our Specification: Wall Panel

## PARTY WALL – FULLY SHEATHED

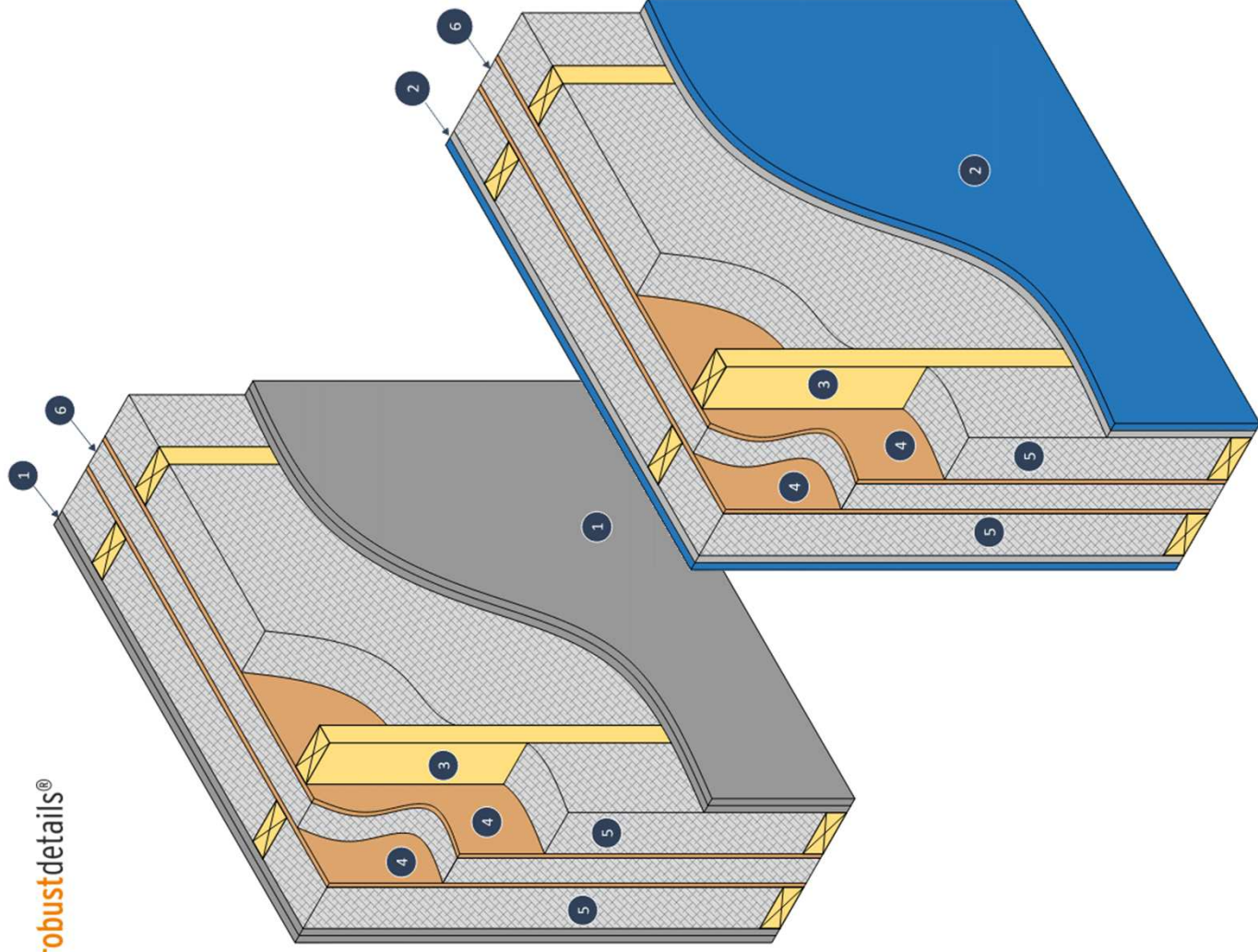
Our timber frame party system offers zero U-value party wall solution, fully filled with effective edge sealing. It also utilizes Robust Detail © E-WT-2 solution.

In areas where back-to-back OSB is required, cavity is insulated by DTS.

-  **Fire tested for 60 min fire protection**
-  U-value 0 with insulated cavity to mitigate thermal bypass
-  Air tightness ranging from 5.0 to 3.0
-  Supply and install service only

-  1 2 layers 15mm plasterboard
- or
-  2 12.5mm plasterboard and 19mm plank
-  3 38x89mm studs
-  4 9mm OSB sheathing (where structurally required)
-  5 Glaswool insulation (10-60 kg/m3 density)
-  6 Timber frame party wall roll insulation (10-40 kg/m3 density)

-  Factory-fitted by DTS
-  Fitted on site by DTS (on request)
-  Fitted by others on site



Full specification available on request

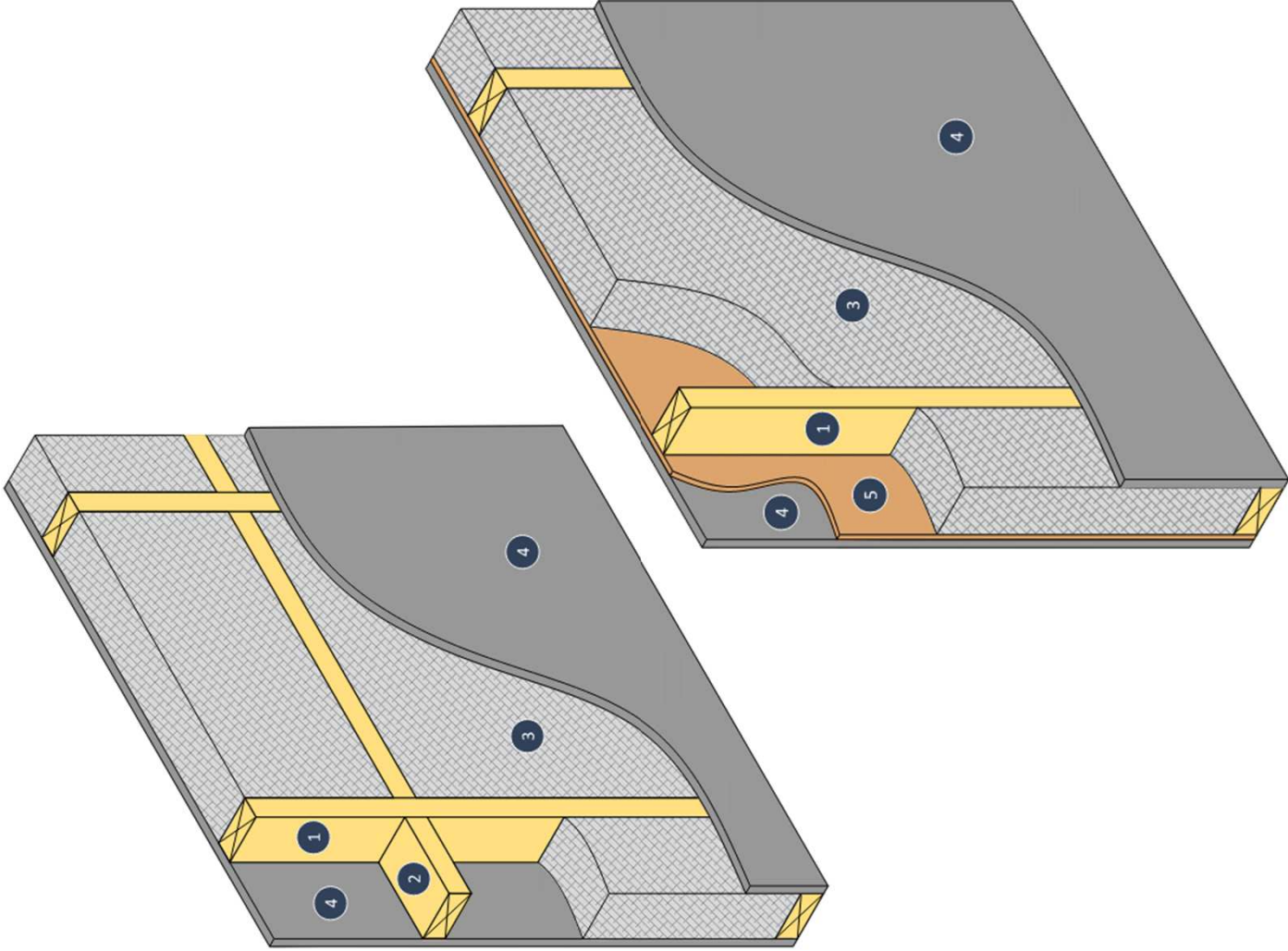
# Our Specification: Wall Panel

## PARTITION WALL Loadbearing - HOUSING

- 1 35x89 mm studs
- 2 Mid-height noggins 35x63mm studs (where structurally required)
- 3 Insulation (if required)
- 4 15mm plasterboard

## PARTITION WALL Racking - HOUSING

- 1 35x89 mm studs
- 3 Insulation (if required)
- 4 15mm plasterboard
- 5 9mm or 2x9mm OSB sheathing



● Factory-fitted by DTS ● Fitted on site by DTS ● Fitted by others on site

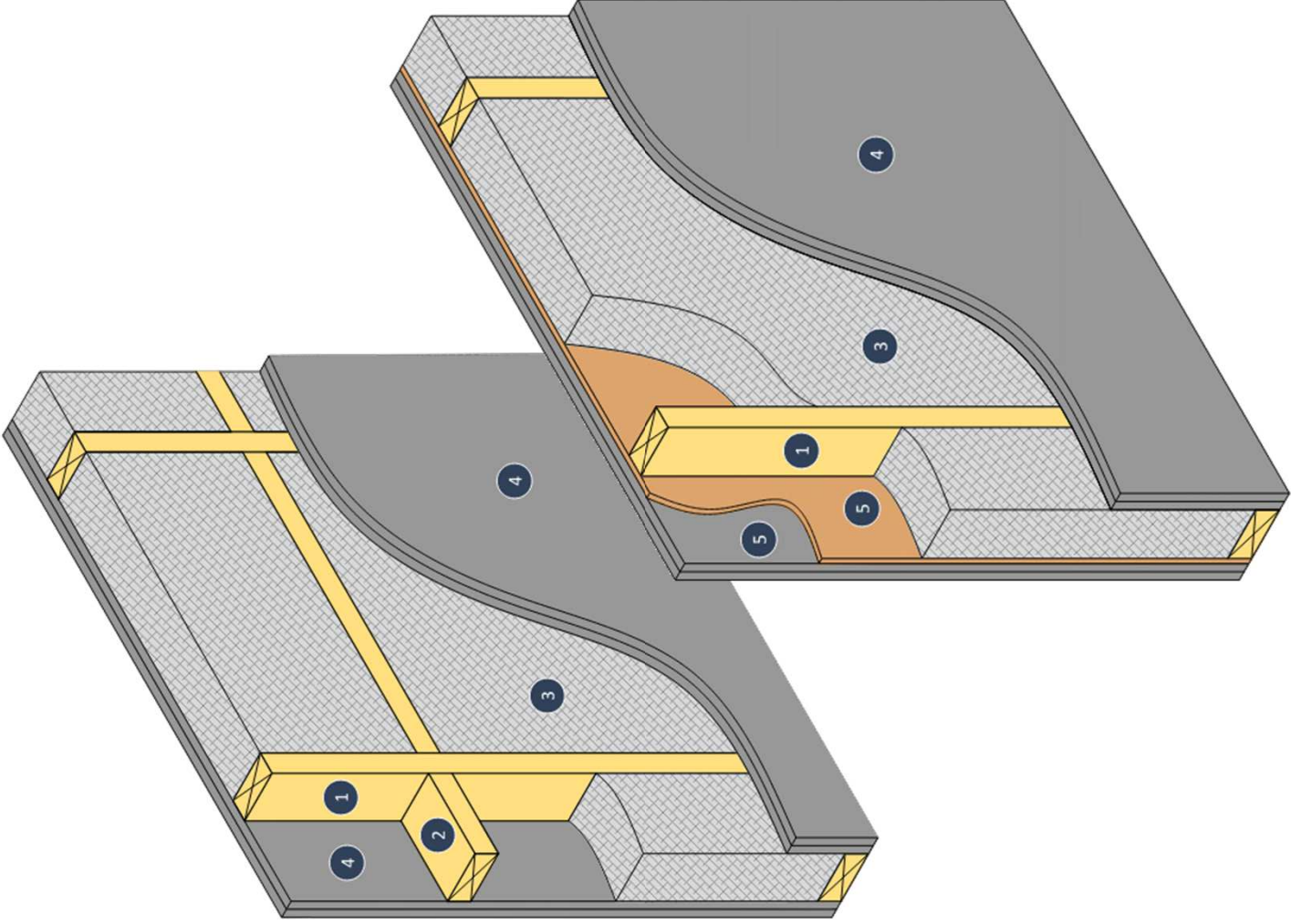
# Our Specification: Wall Panel

## PARTITION WALL Loadbearing – APARTMENTS/COMMERCIAL

- 1 35x89 mm studs
- 2 Mid-height noggins 35x63mm studs (where structurally required)
- 3 Insulation (if required)
- 4 2 layers 15mm plasterboard

## PARTITION WALL Racking – APARTMENTS/COMMERCIAL

- 1 35x89 mm studs
- 3 Insulation (if required)
- 4 2 layers 15mm plasterboard
- 5 9mm or 2x9mm OSB sheathing

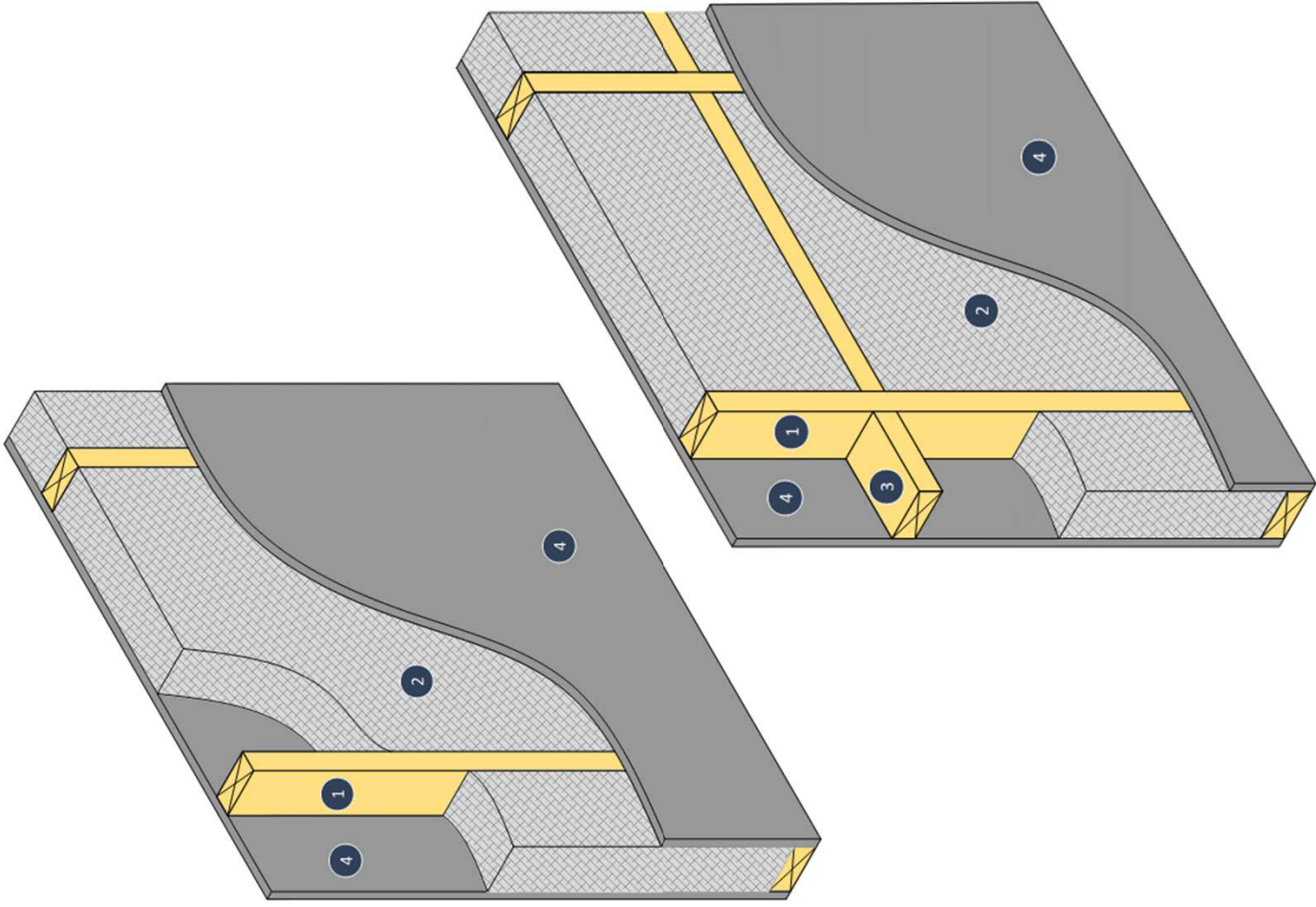


● Factory-fitted by DTS ● Fitted on site by DTS ● Fitted by others on site

# Our Specification: Wall Panel

## PARTITION WALL Non-loadbearing – HOUSING AND APARTMENTS

- 1 35x89 or 35x75 or 35x63 mm studs
- 2 Mid-height noggins (as structurally required)
- 3 Insulation (if required)
- 4 15mm plasterboard



● Factory-fitted by DTS ● Fitted on site by DTS ● Fitted by others on site