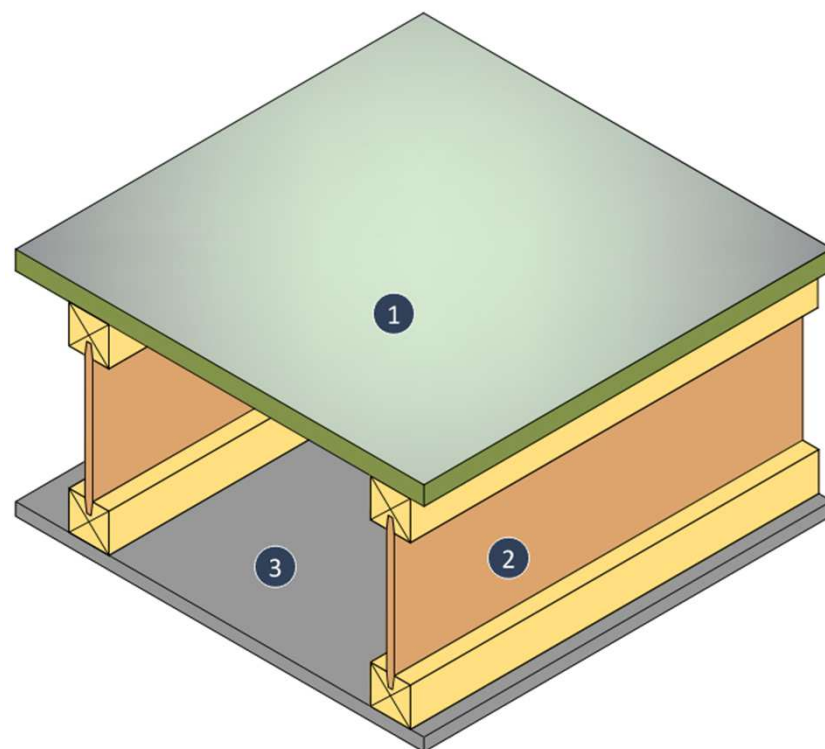


Our Specification: Intermediate Floor

I1-JJI LOOSE JOISTS

- ✓ Joists and solid timbers are factory cut to length
- ✓ Part of a 3D design, with coded layouts to keep the site operations smooth
- ✓ Fire Test information available from our trusted joist supplier
- ✓ Can be used on projects with Airtightness between 3.0-5.0
- ✓ Available as Supply Only and Supply and Erect
- ✓ Can be used in conjunction with all roof types
- ✓ Peel-Clean finish maintains the chipboard during the build
- ✓ PSI Values available on request
- ✓ Available with Alpha and Delta wall systems



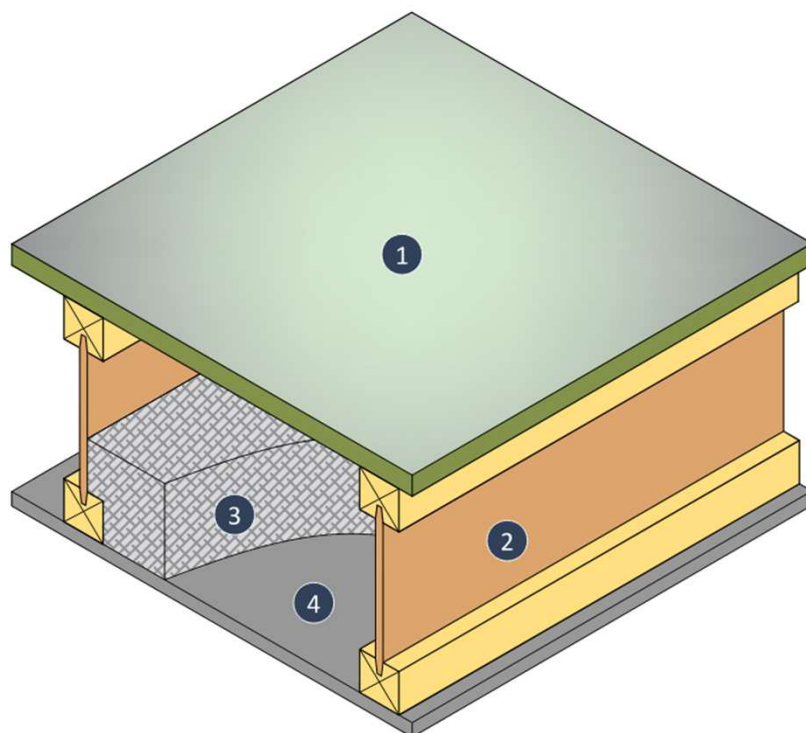
- 1 22mm peel-clean chipboard
- 2 220 / 235 / 300mm JJI joist
- 3 15mm plasterboard

● Factory-prepared and fitted on site by DTS ● Fitted by others on site

Full specification available on request

Our Specification: Intermediate Floor

I1-JJI LOOSE JOISTS



- 1 22mm peel-clean chipboard
- 2 220 / 235 / 300mm JJI joist
- 3 100mm mineral wool insulation, 10-60kg/m3 density
- 4 15mm plasterboard

- ✓ Joists and solid timbers are factory cut to length
- ✓ Part of a 3D design, with coded layouts to keep the site operations smooth
- ✓ Fire Test information available from our trusted joist supplier
- ✓ Can be used on projects with Airtightness between 3.0-5.0
- ✓ Available as Supply Only and Supply and Erect
- ✓ Can be used in conjunction with all roof types
- ✓ Peel-Clean finish maintains the chipboard during the build
- ✓ PSI Values available on request
- ✓ Available with Alpha and Delta wall systems
- ✓ Acoustic performance 44dB









● Factory-prepared and fitted on site by DTS ● Fitted by others on site

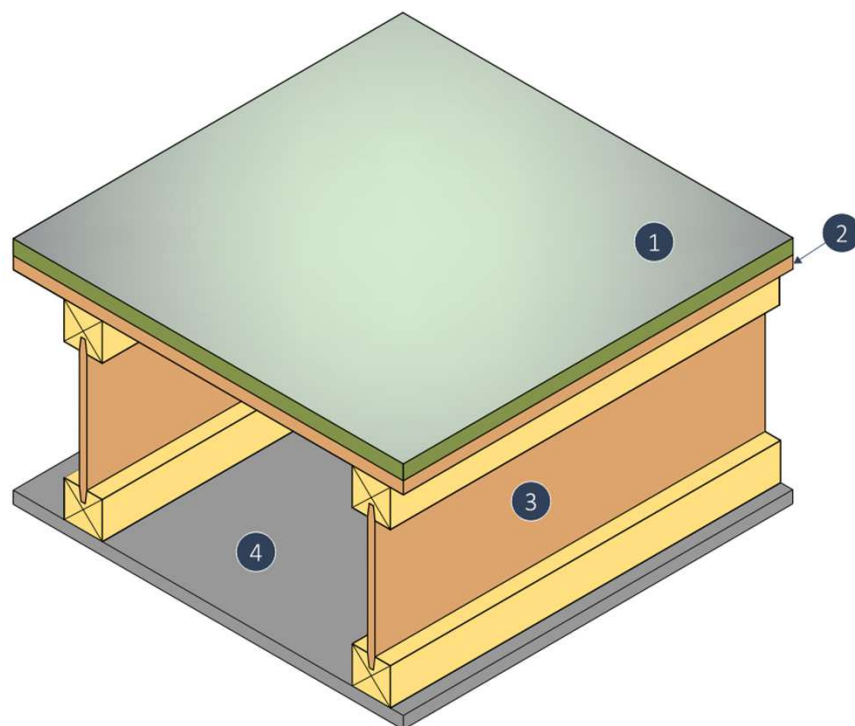
Full specification available on request




Our Specification: Intermediate Floor

I2-JJI OSB CLAD CASSETTE FLOOR

The floor cassette solution - a safe working platform pre-installed in the factory to allow for a faster installation on site. The OSB allows for 18 mm chipboard as a finished deck.

-  Fire Test information available from our trusted joist supplier
-  Can be used on projects with Airtightness between 3.0-5.0
-  Available as Supply Only and Supply and Installation
-  Can be used in conjunction with all roof types
-  Peel-Clean finish maintains the chipboard during the build
-  PSI Values available on request
-  Available with any Donaldson Timber Systems wall systems
-  Stairwell infill panels come pre-installed



-  18mm peel-clean chipboard
-  15mm OSB sub-deck
-  220 / 235 / 300mm JJI joist
-  15mm plasterboard









 Factory-manufactured  Fitted on site by DTS  Fitted by others on site

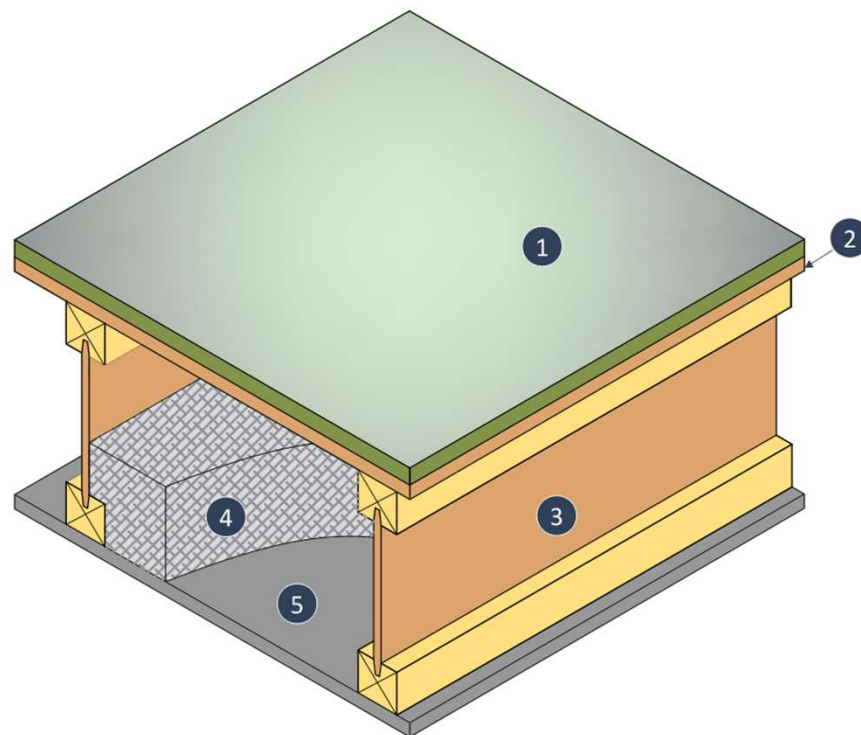
Full specification available on request






Our Specification: Intermediate Floor



I2-JJI OSB CLAD CASSETTE FLOOR

The floor cassette solution - a safe working platform pre-installed in the factory to allow for a faster installation on site. The OSB allows for 18 mm chipboard as a finished deck.

-  Fire Test information available from our trusted joist supplier
-  Can be used on projects with Airtightness between 3.0-5.0
-  Available as Supply Only and Supply and Installation
-  Can be used in conjunction with all roof types
-  Peel-Clean finish maintains the chipboard during the build
-  PSI Values available on request
-  Available with any Donaldson Timber Systems wall systems
-  Stairwell infill panels come pre-installed



-  18mm peel-clean chipboard
-  15mm OSB sub-deck
-  220 / 235 / 300mm JJI joist
-  100mm mineral wool insulation, 10-60kg/m3 density
-  15mm plasterboard

 Factory-manufactured  Fitted on site by DTS  Fitted by others on site

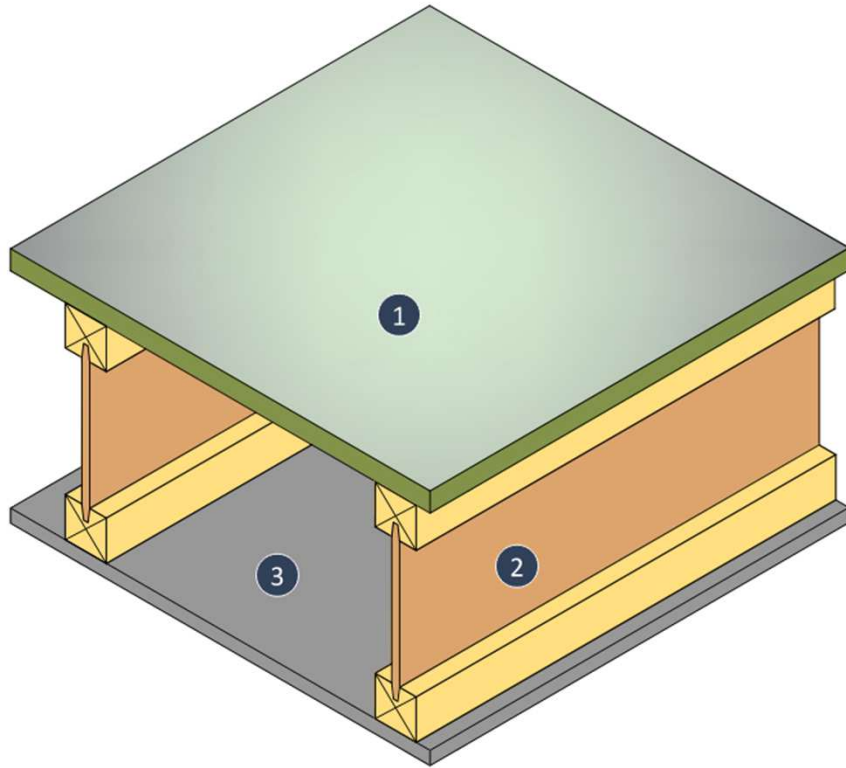
Full specification available on request



Our Specification: Intermediate Floor

I3-JJI CHIPBOARD CLAD CASSETTE FLOOR

The floor cassette solution which has been developed with services integration in mind: provides edge wrapped cassettes and a finished floor deck at the point of install, which ensures the building fabric performs and is easy to build.



- 1 22mm peel-clean chipboard
- 2 220 / 235 / 300mm JJI joist
- 3 15mm plasterboard

- Fire Test information available from our trusted joist supplier
- Can be used on projects with Airtightness between 3.0-5.0
- Available as Supply Only and Supply and Installation
- Can be used in conjunction with all roof types
- Peel-Clean finish maintains the chipboard during the build
- PSI Values available on request
- Available with any Donaldson Timber Systems wall systems
- Stairwell infill panels come pre-installed

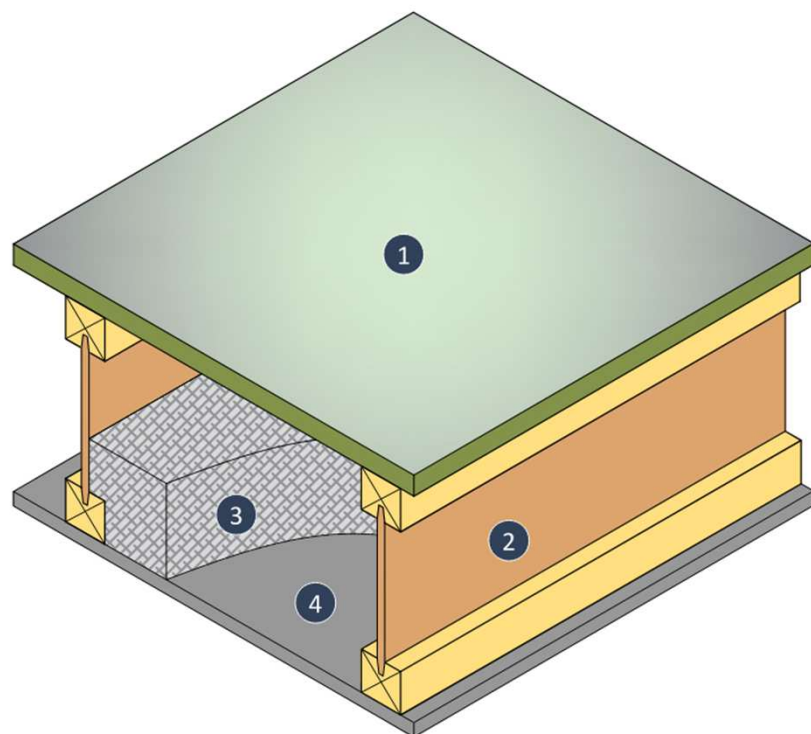
Factory-manufactured Fitted on site by DTS Fitted by others on site

Full specification available on request

Our Specification: Intermediate Floor

I3-JJI CHIPBOARD CLAD CASSETTE FLOOR

The floor cassette solution which has been developed with services integration in mind: provides edge wrapped cassettes and a finished floor deck at the point of install, which ensures the building fabric performs and is easy to build.



- 1 22mm peel-clean chipboard
- 2 220 / 235 / 300mm JJI joist
- 3 100mm mineral wool insulation, 10-60kg/m3 density
- 4 15mm plasterboard

- ✓ Fire Test information available from our trusted joist supplier
- ✓ Can be used on projects with Airtightness between 3.0-5.0
- ✓ Available as Supply Only and Supply and Installation
- ✓ Can be used in conjunction with all roof types
- ✓ Peel-Clean finish maintains the chipboard during the build
- ✓ PSI Values available on request
- ✓ Available with any Donaldson Timber Systems wall systems
- ✓ Stairwell infill panels come pre-installed
- ✓ Acoustic performance 44dB

● Factory-manufactured ● Fitted on site by DTS ● Fitted by others on site

Full specification available on request